

AV-95202

Dual Head 4K HDMI USB KVM Extender *over IP*

The AV-95202 is a perfect solution for Dual head 4K HDMI + USB KVM Extender over Gigabit IP Ethernet. The system includes AV-95202T Dual head Transmitter and AV-95202R Dual head Receiver. The PC dual HDMI, Audio, USB outputs can be used connected to Transmitter; the Receiver connects to 2 HDMI displays, speaker, microphone, and USB devices. The solution is based on the standard IP based Gigabit Ethernet technology. The Transmitter converts input signals (video, audio, USB) and sends to the Receiver. On the other end of Receiver, receiving from the Transmitter then converts back to video, audio, USB... and sends to display, speaker, USB devices. It is a perfect solution for the Central Control Room Dual Head HDMI KVM applications.

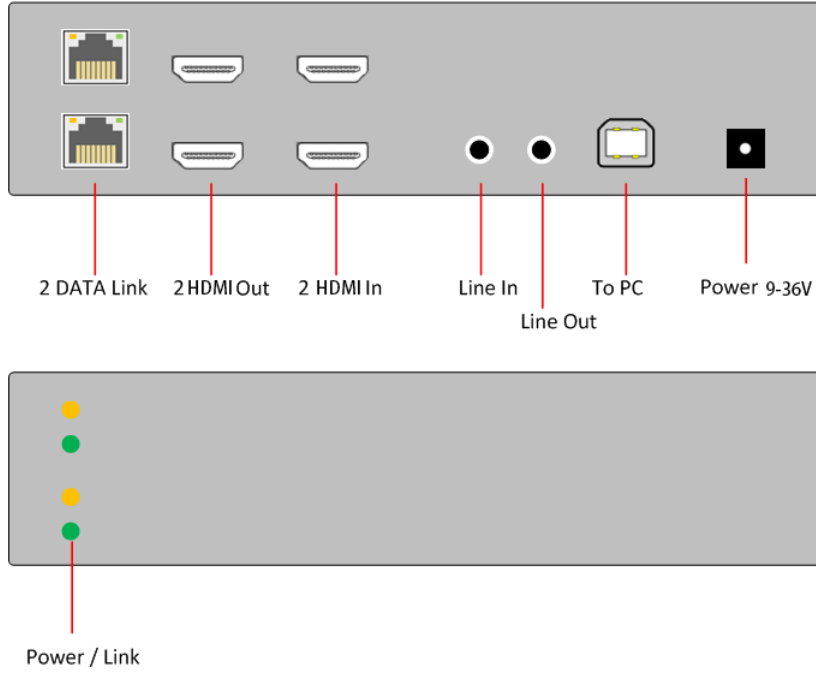


Features

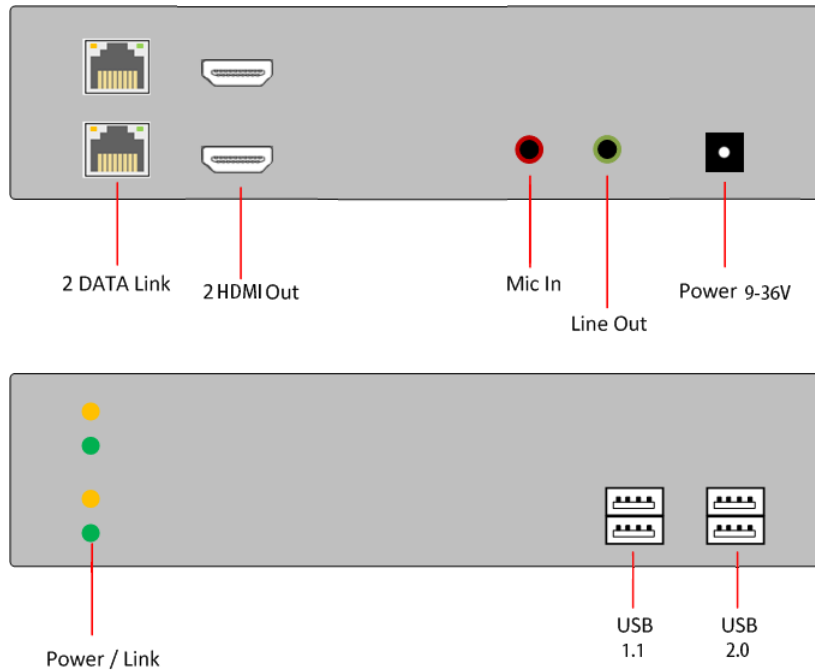
- ❖ Support Single PC with Dual HDMI, 3.5mm Audio, USB.
- ❖ Support dual HDMI 4K@30Hz, or 1920x1200@60Hz resolution.
- ❖ Standard Gigabit Ethernet IP based, UDP API support.
- ❖ Support Web GUI for the configuration.
- ❖ Support OSD Menu for Transmitter connection, Push Video-Wall.
- ❖ Support Matrix Connection, Video-Wall Management Software.
- ❖ Support Virtual USB HUB in Exclusive or Sharing mode.
- ❖ Support USB 2.0 extension for keyboard, mouse, touch, storage.
- ❖ Support both HDMI and 3.5mm stereo audio and microphone
- ❖ Pure hardware design, plug-and-play, no any software installation is required.
- ❖ FCC, CE, RoHS.

Front and Rear View

AV-95202T (Transmitter)



AV-95202R (Receiver)



Specification

Model No.		AV-95202T Transmitter	AV-95202R Receiver
Connectors	HDMI Input	2	N/A
	HDMI Output	2 (local loop-out)	2
	USB	1 x USB-B to PC	4 x USB-A
	Audio	1 x Line-In, 1 x Line-Out	1 x MIC-In, 1 x Line-Out
	Power	DC 12V 5A	
	System Port	2x RJ45 Gigabit	
Resolution		DVI: 1080p/1920X1200@60Hz HDMI: 4K2K (3840x2160@30Hz)	
Inter-connect Cable		CAT 6 / 7	
Environment	Operation Temperature	0~70°C	
	Storage Temperature	-20~ 85°C	
	Humidity	0~80% Non-condensing	
Physical Properties	Material	Metal (Black)	
	Weight	1100 g	1100 g
	Dimension	170x150x50 mm	170x150x50 mm

Diagram

